**Special tools required:**

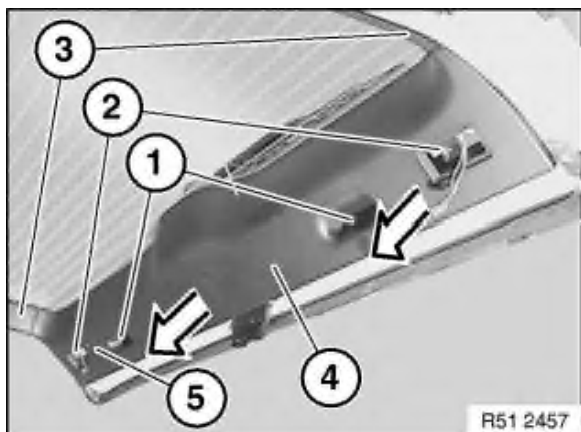
- 00 9 317

Remove trunk lamps (in rear lid upper section).

Using special tool 00 9 317, lever out side trim (1) on left/right with clip (2) from retainer (3) in lower trim (4).

Installation:

If necessary, replace faulty retainer (5).

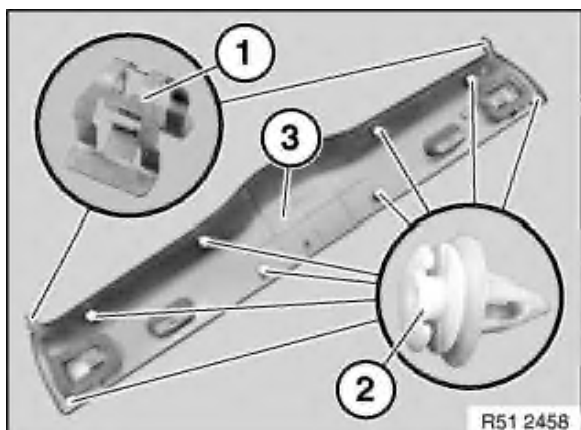


Remove protective caps (1) and release screws underneath.

Release screws (2).

Lever out side trims (3) and clip out lower trim (4).

Feed emergency actuator (5) out of trim (4).

*Installation:*

If necessary, replace faulty retainers (1) and clips (2) in trim (3).