



Parts and Accessories. Installation Instructions.

Rear Lamps Facelift BMW X5 (E53)

Retrofit kit No.

63 210 304 773
63 210 304 774

Installation time

The installation time is approx 1.5 hours for cars up to 10/02 and 1.0 hour for cars after 10/02, but this may vary depending on the condition of the car and the equipment in it.

Important information

These installation instructions are primarily designed for use within the BMW dealership organisation and by authorised BMW service companies.

In any event the target group for these installation instructions is specialist personnel trained on BMW cars with the appropriate specialist knowledge.

All work must be completed using the latest BMW repair manuals, circuit diagrams, servicing manuals and work instructions in a rational order using the prescribed tools (special tools) and observing current health and safety regulations.

Ensure that the cables/lines are not kinked or damaged as you install them in the car. The costs incurred as a result of this will not be reimbursed by BMW AG.

Additional cables/lines that you install must be secured with cable ties.

All the figures show LHD cars, proceed accordingly on RHD cars.

Ordering instructions

The lamp control module does not form part of the retrofit kit and must be replaced. (See EPC for part number and documentation.)

Pictograms:



denotes instructions that draw your attention to special features.

◀ denotes the end of the instruction or caution text.

See the EBA CD or Aftersales Portal for explanations of the pictograms.

Do not archive the hard copy of these installation instructions since daily updates are made by Aftersales Portal.

Subject to technical modifications.

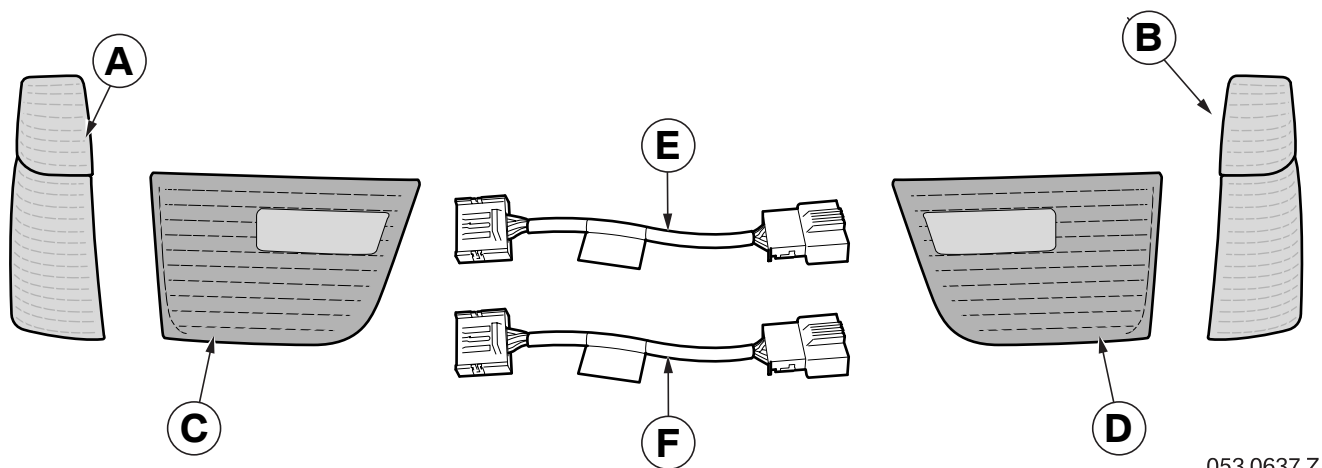
Special tools required

None

Contents

Section	Page
1. Parts list	3
2. Preparations.....	4
3. To install the rear lamps in the side panels on both sides.....	5
4. Concluding work.....	6
5. Circuit diagram	7

1. Parts list



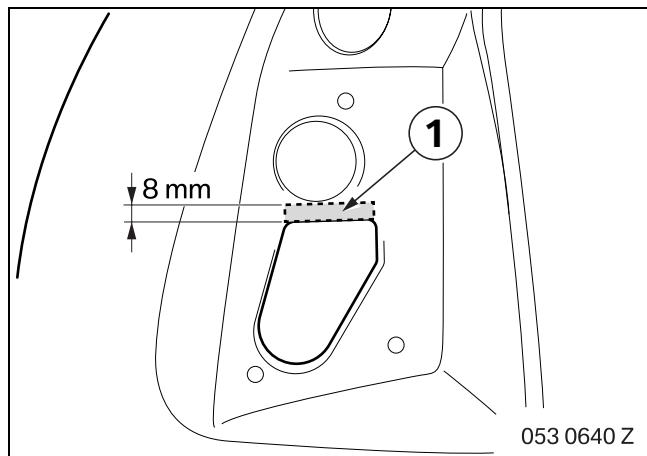
Legend

- A Rear lamp in left side panel
- B Rear lamp in right side panel
- C Rear lamp in left boot lid
- D Rear lamp in right boot lid
- E Adapter cable right (only required in cars after 10/02)
- F Adapter cable left (only required in cars after 10/02)

2. Preparations

	TIS No.
Conduct a brief test	---
Disconnect the negative pole of the battery	12 00 ...
The following components must be removed first of all	
Trim on bottom part of boot lid	51 49...
Boot lid on both sides	57 41...
Rear lamps in side panel on both sides	63 21 180
Exchange the rear lamps in the boot lid on both sides	63 21 180
Exchange the lamp control module (LCM)	---

3. To install the rear lamps in the side panels on both sides

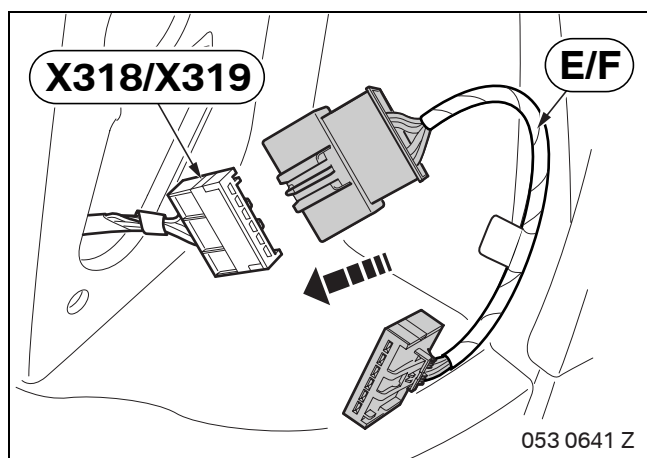


Cars up to 10/02 only

▶ Deburr the saw cut lines. Remove all residual metal chips and apply anti-corrosion measures in accordance with BMW specifications. ◀

Cut out metal section (1).

Install both rear lamps and connect the plug connectors.



Cars after 10/02 only

Connect adapters E and F between plug X318/X319 and rear lamp A or B.

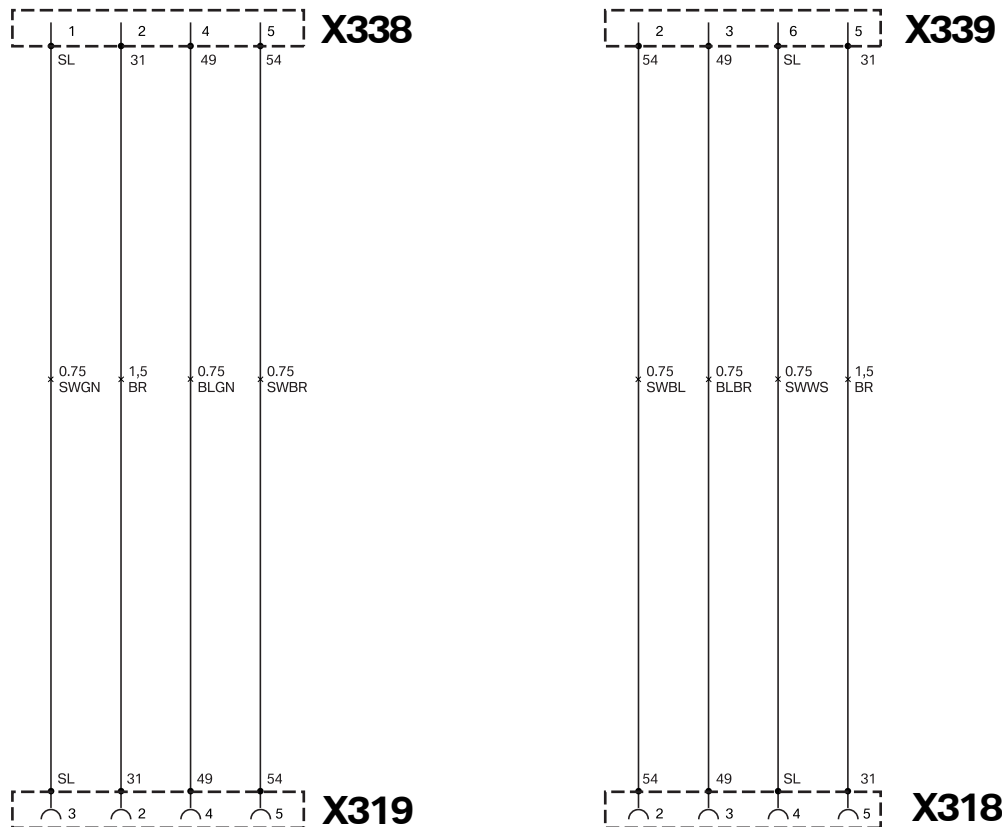
Install both rear lamps.

4. Concluding work

This retrofit system requires coding.

- Connect battery
- Code the retrofit using DISPlus or GT-1 via path **Retrofit**
- Conduct a brief test
- Conduct a function test
- Re-assemble the car

5. Circuit diagram



053 0667 Z

Legend

- X318** Right rear lamp
- X319** Left rear lamp
- X338** Left rear lamp
- X339** Right rear lamp

Cable colours

- BL** Blue
- BR** Brown
- GN** Green
- SW** Black
- WS** White