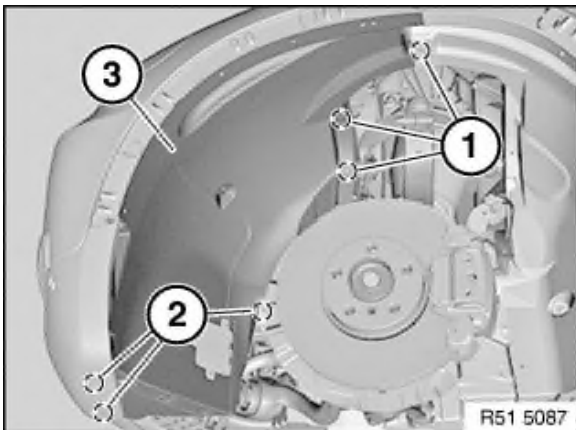
*Necessary preliminary tasks:*

- Remove front wheel
- Remove trim on front wheel arch

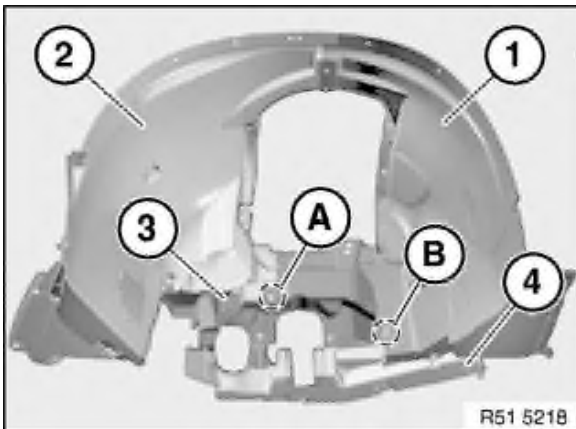
*Note:*

Work shown on X5 3.0i by way of example, deviations in detail are possible in other models.



Release screws/nuts (1 and 2).

Feed out wheel arch cover (3) towards bottom.

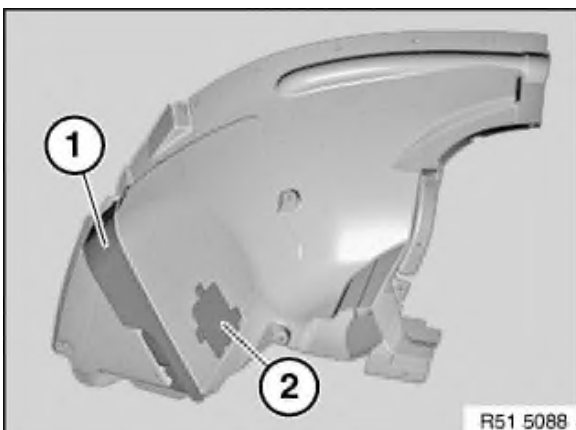
**Important!**

Make sure all covers in wheel arch are correctly seated in relation to each other:

- Rear cover (1) overlaps front cover (2)
- Cover (4) overlaps rear cover (1)
- Cover (3) overlaps covers (2, 4) and rear cover (1) in area (A)

Left side only:

- Rear cover (1) overlaps cover (3) in area (B).

**Replacement:**

Depending on version, remove air duct (1) and cover (2).