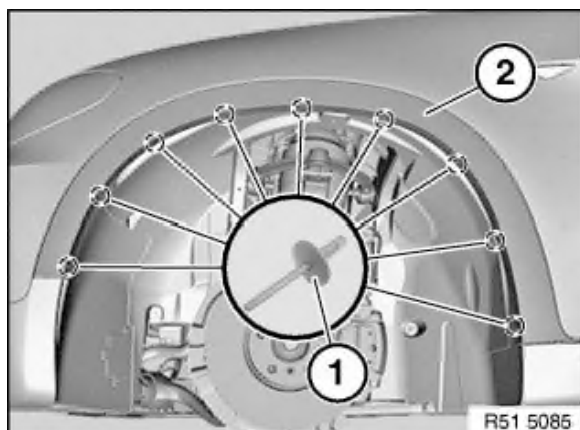
**Special tools required:**

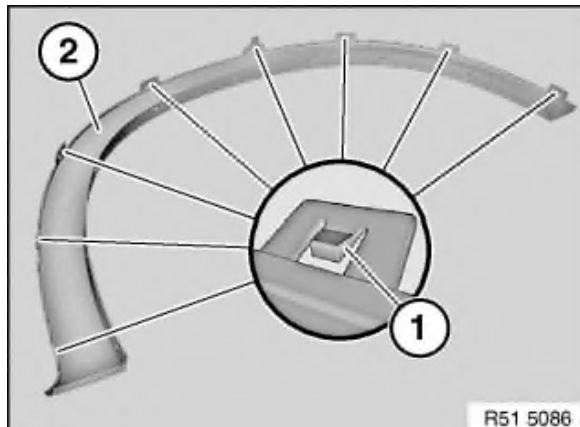
- 00 2 240



Release blind rivets (1).
Unclip trim (2) outwards.

Installation:

Apply blind rivets (1) with special tool 00 2 240 .
Make sure trim (2) is correctly seated on underside protection
and frame side member.

*Installation:*

Catches (1) on trim (2) must not be damaged.