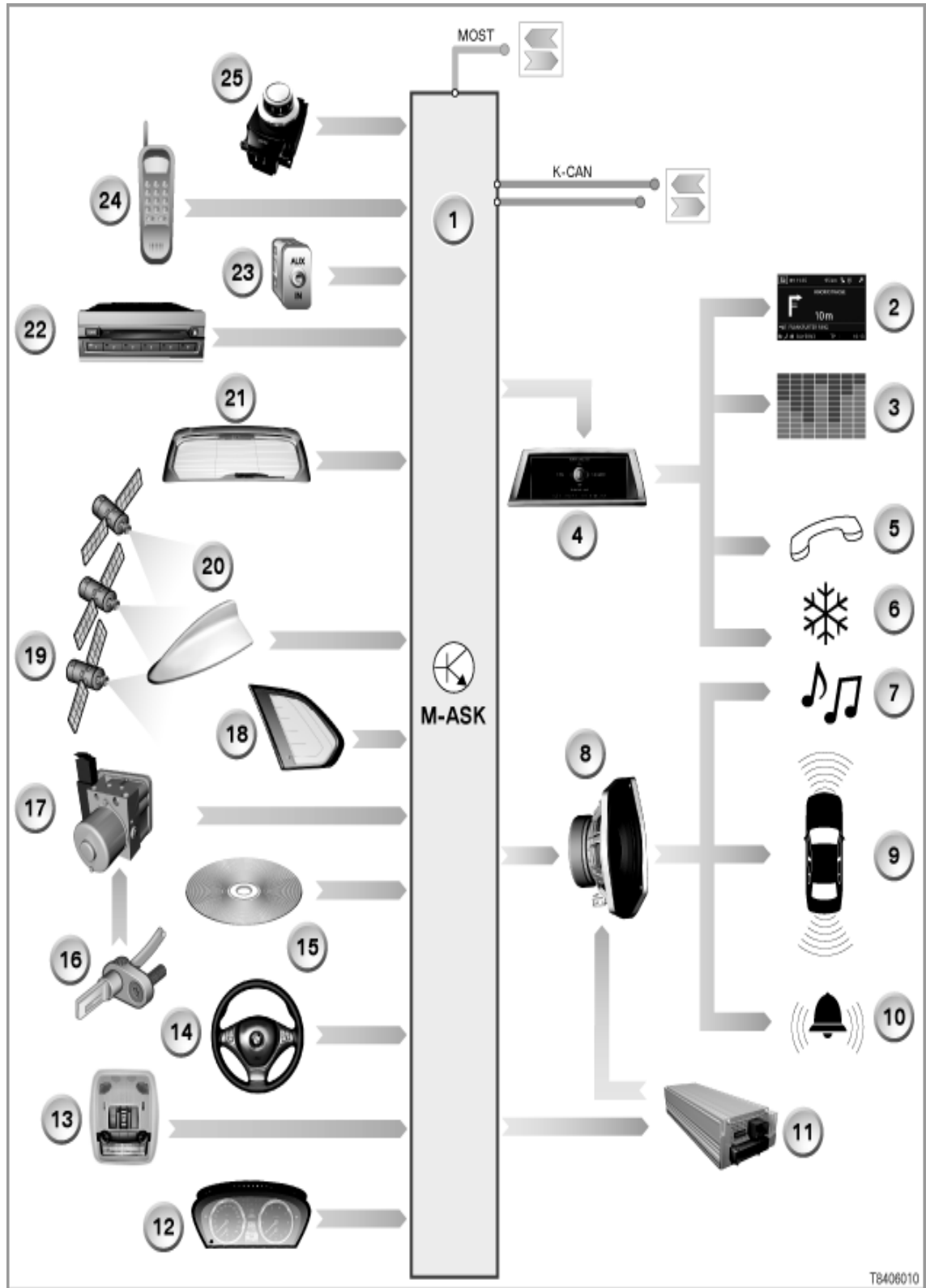


**Multi-audio system controller system overview: E70**

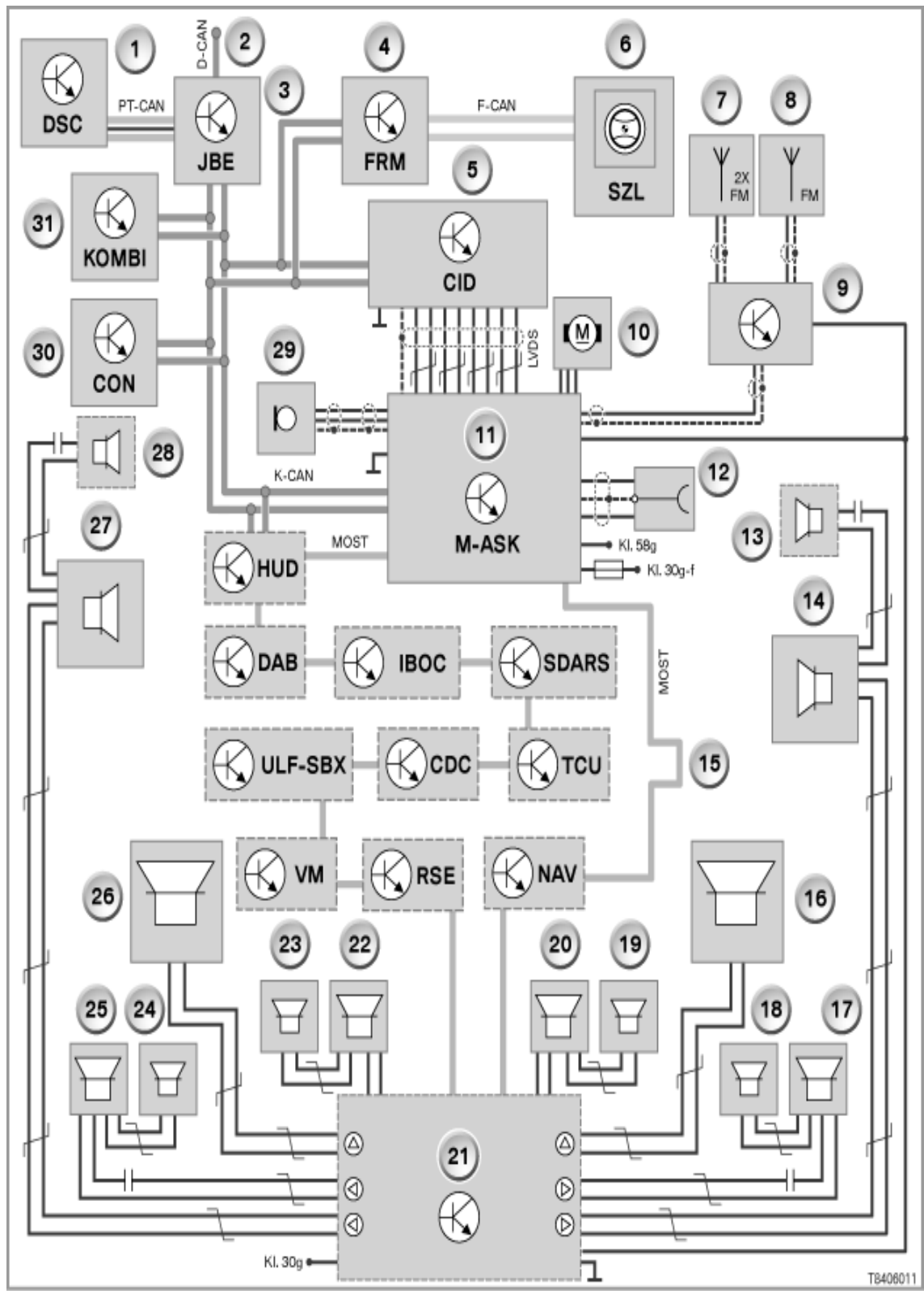
**- Inputs/outputs**



Item	Description	Item	Description
1	Multi-audio system controller (M-ASK)	2	Navigation display

3	Entertainment display	4	Central Information Display (CID)
5	Communication	6	Heating and air conditioning display
7	Audio signals (music, language, navigation messages)	8	Audio operation
9	Park Distance Control (PDC)	10	Acoustic signals (jingles), e.g. acoustic PDC signals
11	Amplifier for HiFi system or TOP-HIFI system	12	Instrument cluster (KOMBI)
13	Overhead control panel with hands-free microphone	14	Multifunction steering wheel
15	DVD for navigation system	16	Wheel-speed sensor
17	Dynamic Stability Control (DSC)	18	Side window aerials (DAB aerial and TV aerial)
19	GPS data from satellites	20	Roof-mounted aerial
21	Rear window antenna	22	CD changer (optionally DVD changer)
23	AUX-In connection	24	Telephone
25	Controller (CON)		
K-CAN	Body CAN	MOST	Media Oriented System Transport

**- System circuit diagram**



Item	Description	Item	Description
1	Dynamic Stability Control (DSC)	2	D-CAN (diagnosis-on CAN)
3	Junction box electronics (JBE)	4	Footwell module
5	Central Information Display (CID)	6	Steering column switch cluster (SZL) with multi-function steering wheel

7	FM aerial in rear window	8	FM aerial in rear spoiler (there is also an AM aerial in the rear spoiler)
9	Aerial amplifier with aerial diversity	10	Fan motor on M-ASK
11	Multi-audio system controller (M-ASK)	12	AUX-In connection
13	Treble loudspeaker, front right door	14	Mid-range loudspeaker, front right door
15	Diagnosis connection for MOST bus	16	Bass loudspeaker, front right
17	Mid-range loudspeaker, D-pillar right	18	Treble loudspeaker, D-pillar right
19	Treble loudspeaker, rear right door	20	Mid-range loudspeaker, rear right door
21	Top-HiFi amplifier (depending on the equipment variant, M-ASK is also connected by loudspeaker cables to the loudspeakers and/or the HiFi amplifier. Not all channels and loudspeakers are illustrated.)	22	Mid-range loudspeaker, rear left door
23	Treble loudspeaker, rear left door	24	Treble loudspeaker, D-pillar left
25	Mid-range loudspeaker, D-pillar left	26	Bass loudspeaker, front left
27	Mid-range loudspeaker, front right door	28	Treble loudspeaker, front left door
29	Hands-free microphone	30	Controller (CON)
31	Instrument cluster (KOMBI)		
CDC	CD changer (optionally DVD changer)	DAB	Digital tuner, Europe version only
HUD	Head-up display	IBOC	Digital tuner, US version only
NAV	Navigation (Japan, Korea, China)	RSE	Rear-compartment entertainment system
SDARS	SDARS control unit (Satellite Digital Audio Radio Service), US version only	TCU	Telematics control unit
ULF-SBX	Interface box (optional also ULF-SBX High with bluetooth technology, voice input, USB connection and audio interface)	VM	Video module
Kl. 30g-f	Terminal 30g-f, power supply	Kl. 58g	Terminal 58g, locating light
F-CAN	Chassis CAN	K-CAN	Body CAN
LVDS	Data wire (Low Voltage Differential Signalling)	MOST	Media Oriented System Transport

PT-CAN	Powertrain CAN		
--------	----------------	--	--