

Original BMW Accessories. Installation Instructions.



Retrofitting chrome exhaust pipe finisher BMW X5 (E70)

Retrofit kit No.:	18 30 2 147 646	Exhaust pipe finisher, chrome, right
	18 30 2 147 647	Exhaust pipe finisher, chrome, left

Installation time

The installation time is approx. **1 hour**, but may vary depending on the condition of the car and the equipment in it.

Important information

These installation instructions are primarily designed for use within the BMW dealership organisation and by authorised BMW service companies.

In any event, the target group for these installation instructions is specialist personnel trained on BMW cars with the appropriate specialist knowledge.

All work must be completed using the latest BMW repair manuals, circuit diagrams, servicing manuals and work instructions, in a rational order, using the specified tools (special tools) and observing current health and safety regulations.

In the event of installation or functional problems, limit troubleshooting to 0.5 hours for mechanical jobs and 1.0 hours for electrical jobs.

To avoid unnecessary work and costs, send a corresponding enquiry via the Aftersales Assistance Portal (ASAP) using the technical parts support application.

Please quote the following:

- Vehicle identification number
- Part number of retrofit kit
- Exact description of the problem
- Work already carried out.

Do not archive the hard copy of these installation instructions since daily updates are made by ASAP!

All pictures show LHD cars; proceed accordingly on RHD cars.

Pictograms



Denotes instructions that draw your attention to dangers.



Denotes instructions that draw your attention to special features.

◀ Denotes the end of the instruction or other text.

Installation information

The installation instructions describe the procedure on the left-hand side of the vehicle only. The same procedure should be followed analogously on the right-hand side of the vehicle.

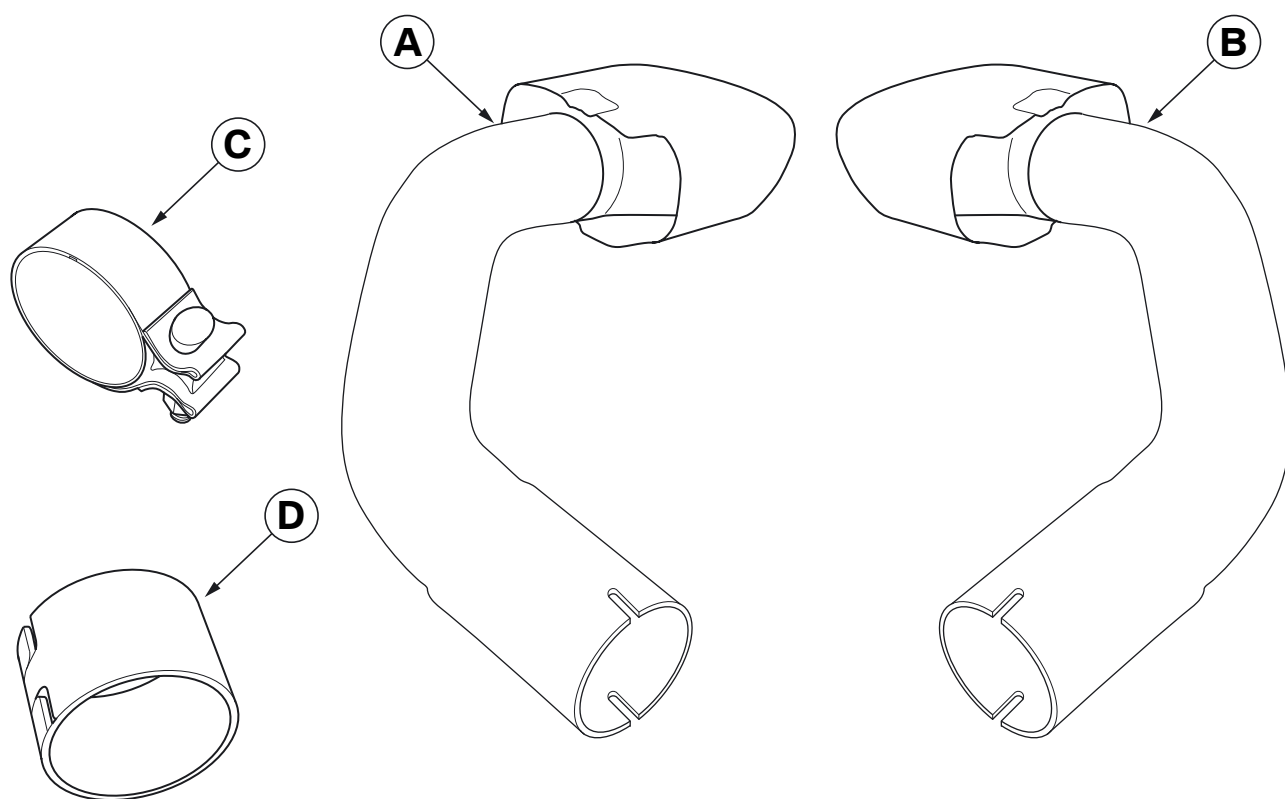
Special tools required

None

Contents

Section	Page
1. Parts overview, tailpipe finishers	4
2. Retrofitting tailpipe finishers.....	5

1. Parts overview, tailpipe finishers

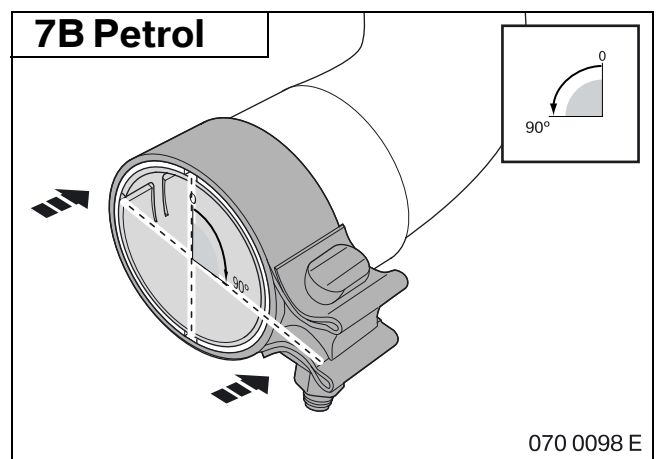
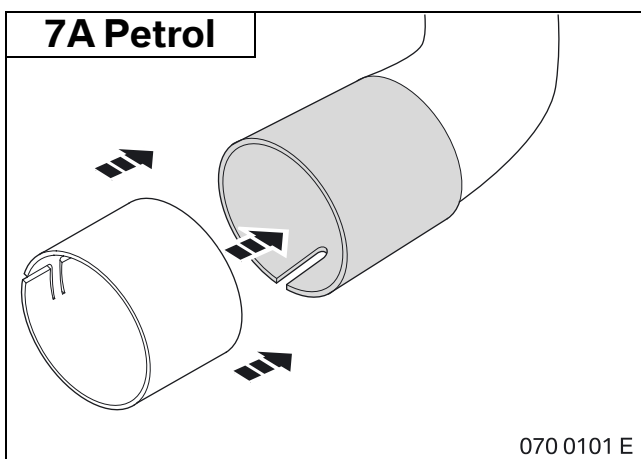
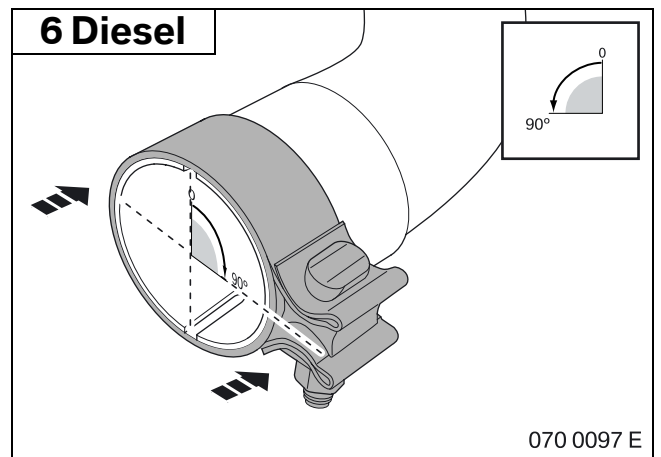
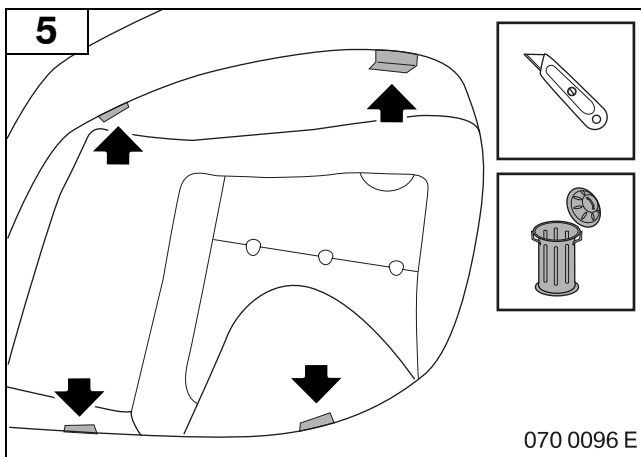
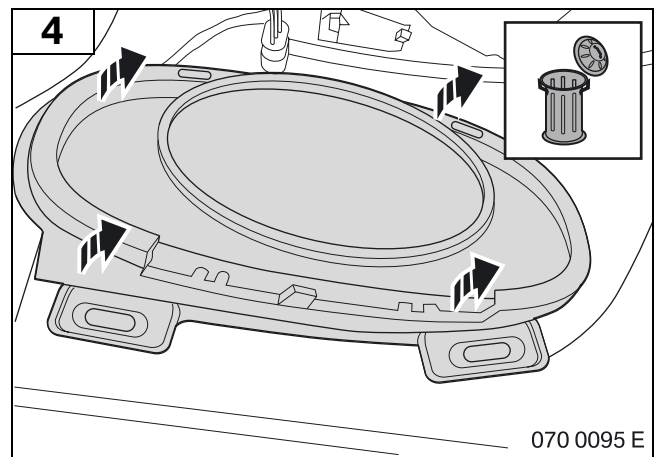
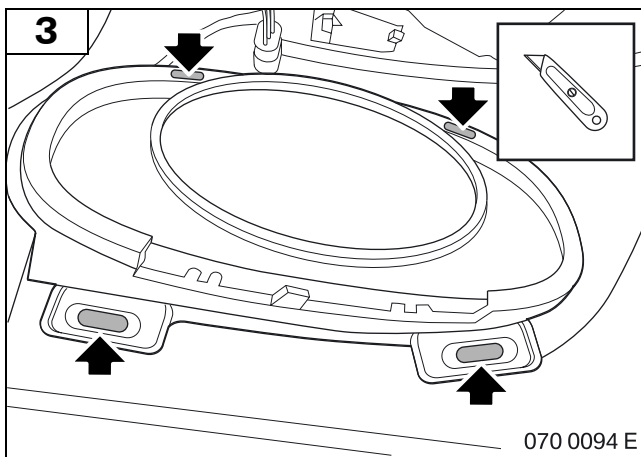
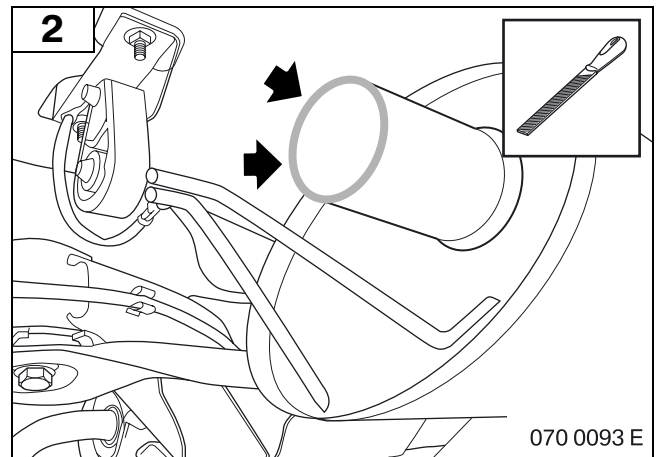
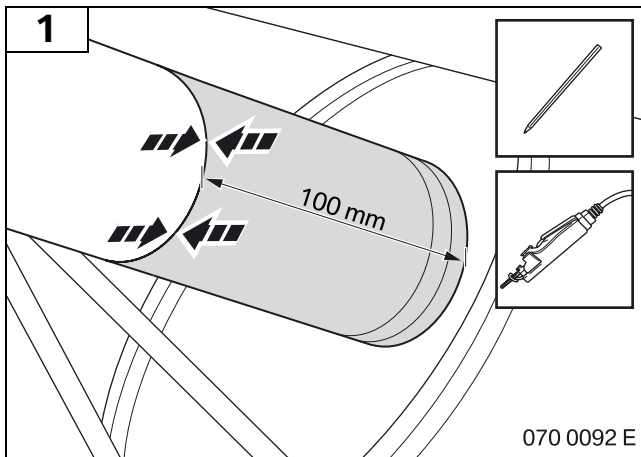


070 0091 E

Legend

- A** Chrome exhaust pipe finisher, right (1 of)
- B** Chrome exhaust pipe finisher, left (1 of)
- C** Clamp (2 of)
- D** Spacer ring (2 of, for petrol-engined models only)

2. Retrofitting tailpipe finisher



2. Retrofitting tailpipe finisher

