

# Original BMW Accessories. Installation Instructions.



## Retrofit luggage net for loading sill BMW X5 (E70)

**Retrofit kit No.:** 51 47 0 416 677 Luggage net for loading sill

### Installation time

The installation time of **approx. 0.5 hours** may vary depending on the vehicle's condition and equipment.

### Important information

These installation instructions are primarily designed for use within the BMW dealership organisation and by authorised BMW service companies.

In any event, the target group for these installation instructions is specialist personnel trained on BMW cars with the appropriate specialist knowledge.

All work must be completed using the latest BMW repair manuals, circuit diagrams, servicing manuals and work instructions, in a rational order, using the specified tools (special tools) and observing current health and safety regulations.

### **In the event of installation or functional problems, limit troubleshooting to 0.5 hours for mechanical jobs and 1.0 hours for electrical jobs.**

To avoid unnecessary work and costs, send a corresponding enquiry via the Aftersales Assistance Portal (ASAP) using the technical parts support application.

Please quote the following:

- Vehicle identification number
- Part number of retrofit kit
- Exact description of the problem
- Work already carried out.

Do not archive the hard copy of these installation instructions since daily updates are made by ASAP!

All pictures show LHD cars; proceed accordingly on RHD cars.

### **Lograms:**



Denotes instructions that draw your attention to special features.

◀ Denotes the end of the instruction or other text.

Subject to technical modifications.

### **Installation instructions**

The installation instructions describe the procedure on the right-hand side of the vehicle only. The same procedure should be followed analogously on the left-hand side of the vehicle.

The following parts are not included in the parts kit and must be ordered separately:

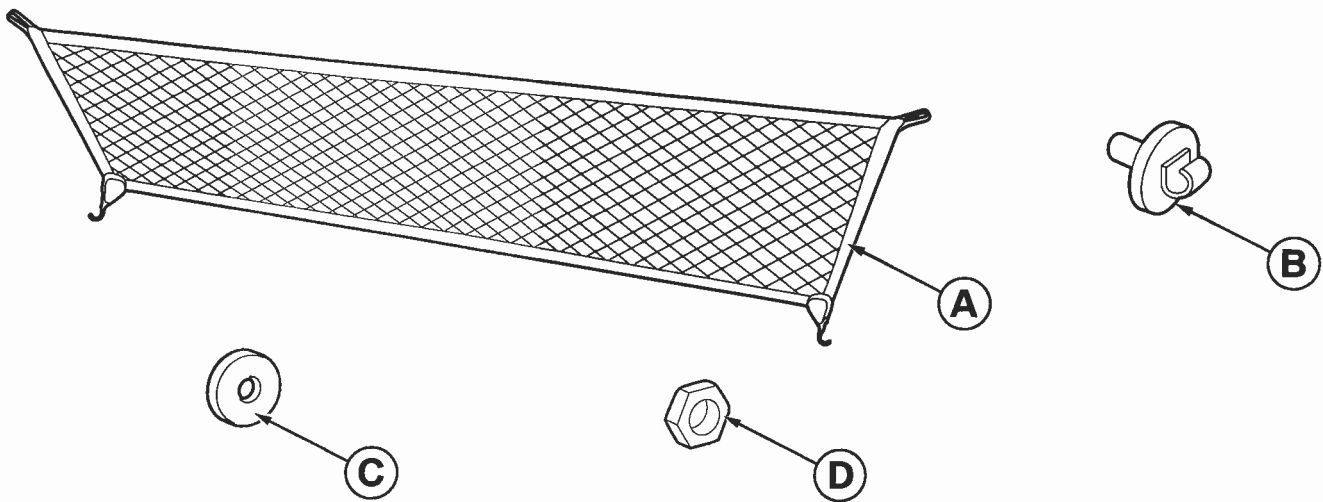
- Washer **C** (part number: 07 11 9 931 029)
- Nut **D** (part number: 07 14 1 732 625)

### **Special tools required**

None

Section	Page
1. Parts overview.....	4
2. Preparatory work .....	5
3. Fitting hooks for luggage net.....	6
4. Finishing off and coding .....	7
5. Instructions for the customer.....	8

## Parts overview



070 0020 V

### Legend

**A** Loading edge luggage net

**B** Hook (2x)

### Not included in parts kit:

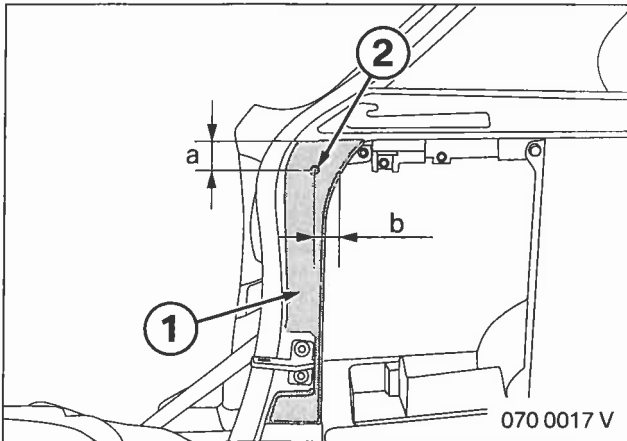
**C** Washer  $\varnothing$  5.4 (2x)

**D** Nut M5 (2x)

## Preparatory work

	ISTA No.
Perform quick test	---
Disconnect negative terminal of battery	12 00 ...
<b>Remove the following components</b>	
None	---

### 3. Fitting hooks for luggage net



Remove the flaps in the luggage compartment trim, left and right, as per ISTA number 51 47 172.

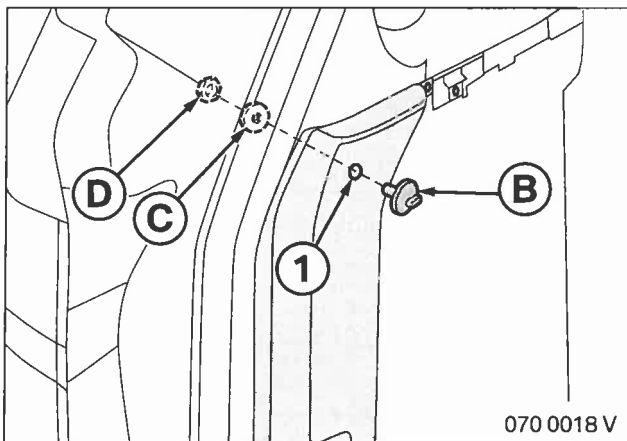
Make a mark (2) on the luggage compartment side trim panel (1), based on the dimensions

a = 25 mm

b = 35 mm

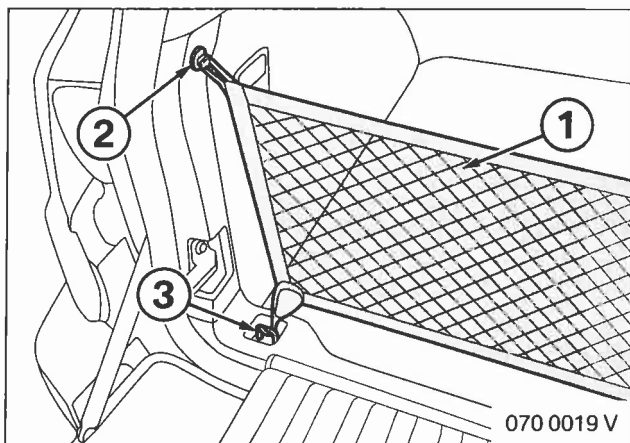
▶ When drilling, take care to ensure that the parts behind the trim are not damaged. ◀

Drill a hole with diameter 6 mm and debur.



Insert hook **B** in the hole (1) and screw on from behind with washer **C** and nut **D**.

Install the flaps in the luggage compartment trim, left and right, as per ISTA number 51 47 172.




First hook the luggage net for loading sill (1) in the two hooks at the top (2).

Then clip the luggage net into the two eyelets (3).

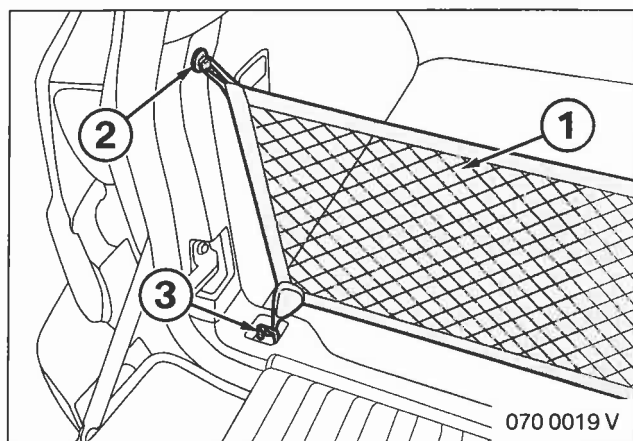
## 4. Finishing off and coding

The retrofit system does not require encoding.

- Reconnect vehicle battery
- Perform quick test

 Section 5, Instructions for the customer, should be handed to the customer when the vehicle is handed over. ◀

## 5. Instructions for the customer



First hook the luggage net for loading sill (1) in the two hooks at the top (2).

Then clip the luggage net into the two eyelets (3).