

# <!---->Replace windscreen

## REP-REP-RAE7051-5131011 Replace windscreen

VIN: LT84067

Vehicle: X' / E70 / off-road vehicle / X5 35d x / M57 / USA / left-hand drive / AUT / 2010 / 2

System version: 1.1.9

Data version: 3.51

51 31 011

Replace windscreen



### Special tools required:

- [51 0 010](#)



### Attention!

The following notes form the basis for these repair instructions and must be adhered to at all times:

- [Notes on window bonding](#)
- [General procedure](#) for dismantling/installation of affixed window glass



Removal is performed with [Roll Out 2000](#).

The following new parts / consumables are required (sourcing reference BMW Parts Department).

Material	Quantity
Windscreen	1
Cover, windscreen	1
Spacer buffer 5x5x20 mm	4
Semicircular spacer buffer	7
Small repair kit	1

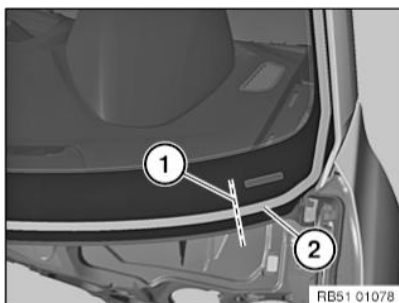


### Necessary preliminary work:

- Remove [inside mirror](#)
- Remove [trim panels for roof pillar](#) at front
- Remove [cowl panel cover](#)
- Remove [gutter strips](#)
- Remove [rubber frame for windscreen](#)

### Depending on version:

- Remove [camera for lane departure warning](#)
- Remove the [rain/light/solar and condensation sensor](#) and immediately install on a new windscreen or a new sensor



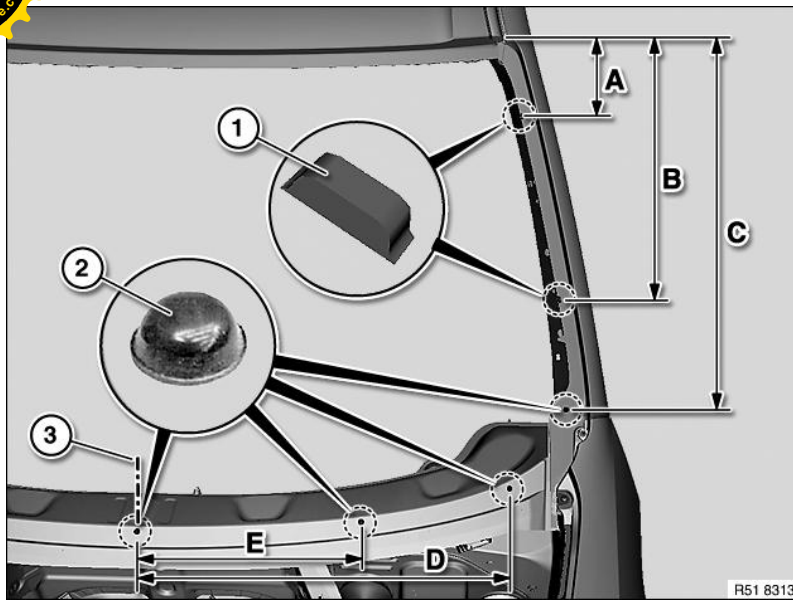
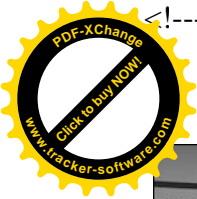
Tape off body in area of piercing point with fabric adhesive tape.

Push wire from [Roll Out 2000](#) along line (1) through adhesive bead (2).

For details on how to proceed, refer to: [Window Removal with "Roll Out 2000"](#).

Lift out windscreen with [suction cup](#).

### Fitting spacers:



To prevent windscreen breakage and wind noise, completely remove any remnants of removed spacer buffers and maintain the installation position exactly.

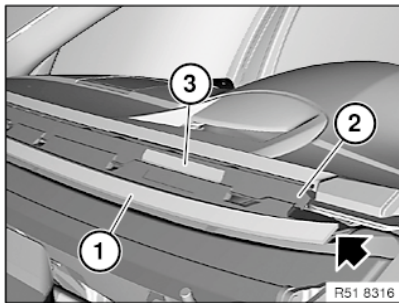
Dimensions (A to C) measured from roof edge.

Dimensions (D and E) measured from middle of vehicle (3).

A 150 mm D 680 mm

B 500 mm E 390 mm

C 700 mm



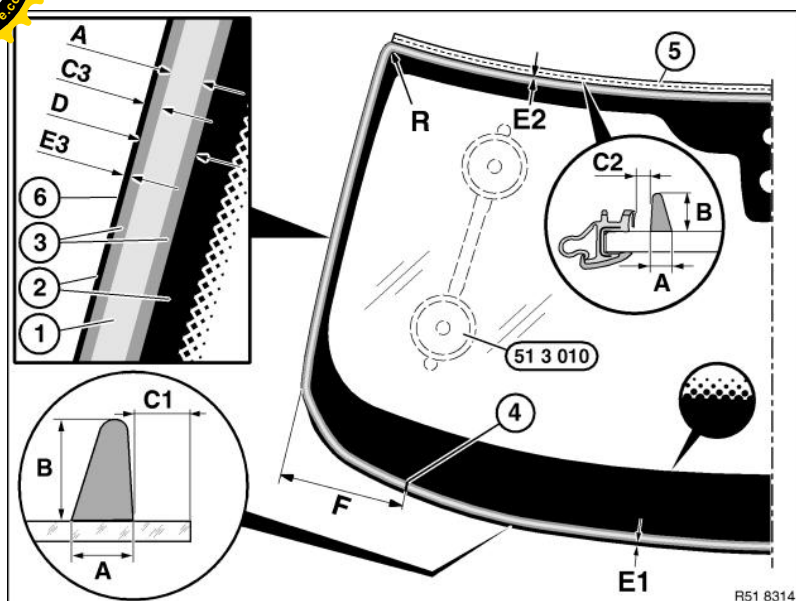
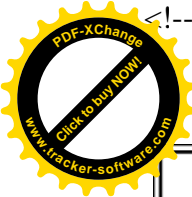
If necessary, replace faulty expanding foam tape (1 and 2).

Observe [notes](#) on component-bonding with adhesive tape!

Expanding foam tape (1) may only be stuck up to corner points of defroster channel (2).

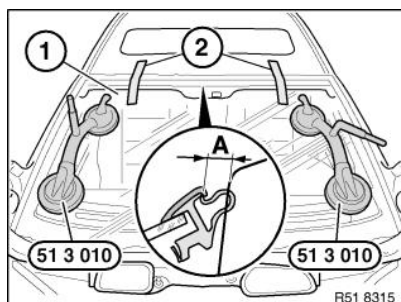
Stick on expanding foam tape (3) (120 mm long) above vehicle identification number.

**Overview of windscreen bonding:**



Install new [windscreen rubber surround \(top\)](#).

1	Adhesive bead	C2	$2 \pm 1$ mm (distance from 3 to 5)
2	Ceramic layer	C3	$4 \pm 1$ mm (distance 1 to 6 side)
3	Primer coat	D	$20^{+2}$ mm (width of primer trace)
4	Application point of adhesive bead	E1	$4^{+2}$ mm (distance from 3 to 6 bottom)
5	Rubber frame, top	E2	0 mm (spacing from 3 to 5)
6	Windscreen outer edge	E3	0 mm (distance from 3 to 6 side)
A	$7 \pm 1$ mm (width of adhesive bead)	F	approx. 300 mm (distance from 4 to 6)
B	$11^{-2}$ mm (height of adhesive bead)	R	approx. 20 mm (radius of 1)
C1	$11 \pm 1$ mm (distance 1 to 6 bottom)		



Perform the following steps carefully on the windscreen (1) using [suction cup](#) (51 3 010):

- Insert between engine compartment lid and cowl panel
- Position at top
- Align sides evenly
- Insert at bottom and press down
- align seal at top according to dimension (A)  
A =  $4 \pm 1$  mm
- secure in terms of height in this position at top with two yellow plastic adhesive tapes (2)

Preload on top of windscreen to prevent wind noise:

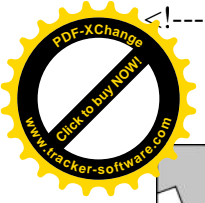
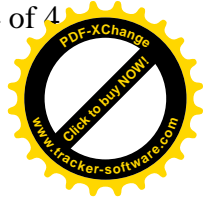
Windscreen (1) must be lower than roof outer skin (2). This is the only way to prevent wind noises.

Position special tool [51 0 010](#) in middle of vehicle depending on dimension (A) and check underprotrusion of windscreen (1).

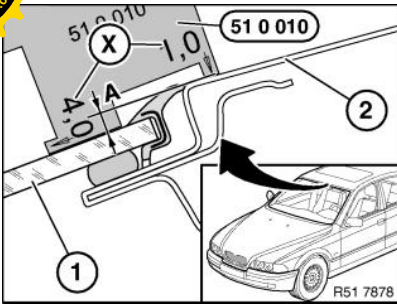
Windscreen underprotrusion (A):

A =  $5 \pm 0.5$  mm

X = Measurement stages 1... 4 mm



## &lt;!----&gt;Replace windscreen

Version with HUD only:

Check [HUD](#) functions again and if necessary adjust.

Only with camera-based driver support systems:

Carry out camera calibration via diagnosis system.

Under Service Functions menu:

- Body
  - Lane departure warning
  - Calibrate camera